



Way of Life!



For more information  
or to book a test drive, visit:  
[cars.suzuki.co.uk/jimny](https://cars.suzuki.co.uk/jimny)

# THE SUZUKI JIMNY



The fuel consumption you achieve under real life driving conditions and CO<sub>2</sub> produced will depend upon a number of factors including the accessories fitted after registration, variations in driving styles, weather conditions and vehicle load. There is a new test used for fuel consumption and CO<sub>2</sub> figures. The CO<sub>2</sub> figure(s) shown, however, is based on the outgoing test cycle and will be used to calculate vehicle tax on first registration. Only compare fuel consumption and CO<sub>2</sub> figures with other cars tested to the same technical standard. Specifications shown have been achieved by production models under standard operating conditions. Data is intended to describe vehicles and their performance fairly, but may not apply to every vehicle. Colours, specifications and equipment may vary without notice. All details are correct at the time of going to print: December 2018. Vehicles shown throughout this brochure are for illustration only and may feature non-UK/ROI equipment. Suzuki GB PLC, Steinbeck Crescent, Snelshall West, Milton Keynes, Bucks MK4 4AE. Suzuki Information Service: 0800 804 8828 (UK) or 01 906 1862 (ROI) (calls may be recorded or monitored).

## SPECIFICATION GUIDE

# ADVENTURE AWAITS

The all-new Jimny is here and is more capable than ever before thanks to its ALLGRIP Pro 4-wheel Drive technology that delivers superb performance on every journey. It's great to drive. Awesome to look at. And it's ready for your next adventure. So which one will you choose?

## SZ4

As standard with the SZ4:

- Selectable 4WD with low-ratio transfer
- Dual Sensor Brake Support (DSBS)
- Full size spare wheel with black covering disc
- Front foglamps
- Automatic headlights with high beam assist
- Cruise control
- Bluetooth® connectivity
- Air conditioning
- CD tuner
- 15" black steel wheels



## SZ5

With the SZ5, you also get:

- 15" alloy wheels
- Body colour door handles
- Rear privacy glass
- LED headlights with washers
- Climate control
- Leather-covered steering wheel
- Satellite navigation
- Smartphone link
- Front heated seats



Bluetooth® is a registered trademark owned by Bluetooth SIG, Inc.



Front foglamps



15" black steel wheels



Selectable 4WD with low ratio transfer



LED headlights with washers



Satellite navigation



15" alloy wheels

# EQUIPMENT



CATEGORY	DESCRIPTION	SZ4	SZ5
<b>Safety</b>	ALLGRIP Pro selectable 4WD with low ratio transfer gear	•	•
	ABS with Brake Assist function	•	•
	ESP® (Electronic Stability Program) *	•	•
	Driver & front passenger airbags	•	•
	Front passenger airbag deactivation system	•	•
	Side airbags (incorporated into front seats)	•	•
	Curtain airbags	•	•
	Front 3-point ELR seatbelts with pretensioners and force limiters	•	•
	Rear 3-point ELR seatbelts x 2 with pretensioners and force limiters	•	•
	Side impact protection beams	•	•
	Dual Sensor Brake Support	•	•
	Lane departure warning	•	•
	Emergency stop signal	•	•
	Hill hold control	•	•
	Hill descent control	•	•
	Tyre pressure monitoring system	•	•
	Full size spare wheel (mounted on tailgate with black covering disc)	•	•
<b>Security</b>	Immobiliser	•	•
	Security alarm	•	•
	Remote central door locking	•	•
	Locking wheel nuts	•	•
<b>Comfort &amp; convenience</b>	Cruise control with speed limiter	•	•
	3-spoke leather-covered steering wheel	•	•
	Lights-on and key-in reminder	•	•
	Digital clock	•	•
	Fabric seat material	•	•
	Rear seat head restraint x 2	•	•
	Electric front windows with driver's side auto up/down	•	•
	Front cabin light	•	•
	Front sun visors	•	•
	Front sun visors with vanity mirrors and ticket holders	•	•
	Front passenger's side and rear x 2 assist grips	•	•
	12V accessory socket (centre console)	•	•
	12V accessory socket (luggage area)	•	•
Manual air conditioning	•	•	
Automatic air conditioning	•	•	

\*ESP® is a registered trademark of Daimler AG.

CATEGORY	DESCRIPTION	SZ4	SZ5
<b>Heating &amp; visibility</b>	Halogen multi-reflector headlamps	•	•
	LED projector headlamps (low and high beam)		•
	Automatic headlamps	•	•
	Headlamp washers		•
	High Beam Assist	•	•
	Daytime running lights	•	•
	Front foglamps	•	•
	Front wiper with intermittent + washer	•	•
	Rear wiper + washer	•	•
	Electrically adjustable door mirrors	•	•
	Heated door mirrors		•
	Heated driver's and front passenger's seats		•
	<b>Storage</b>	Centre console cup holder	•
Rear seat with 50:50 split folding		•	•
Boot luggage box			•
<b>Entertainment &amp; communication</b>	MP3 compatible CD player	•	•
	DAB digital radio	•	•
	Bluetooth® integrated into audio unit	•	•
	USB connector	•	•
	Navigation system		•
	Smartphone link display		•
	2 x speakers	•	•
	Steering wheel audio controls	•	•
<b>Styling</b>	15" alloy wheels		•
	15" steel wheels	•	
	Black wheel arch mouldings	•	•
	Black exterior door handles	•	•
	Body colour exterior door handles		•
	Black exterior door mirrors	•	
	Black painted exterior door mirrors		•
	Rear privacy glass		•
Chrome interior door handles	•	•	

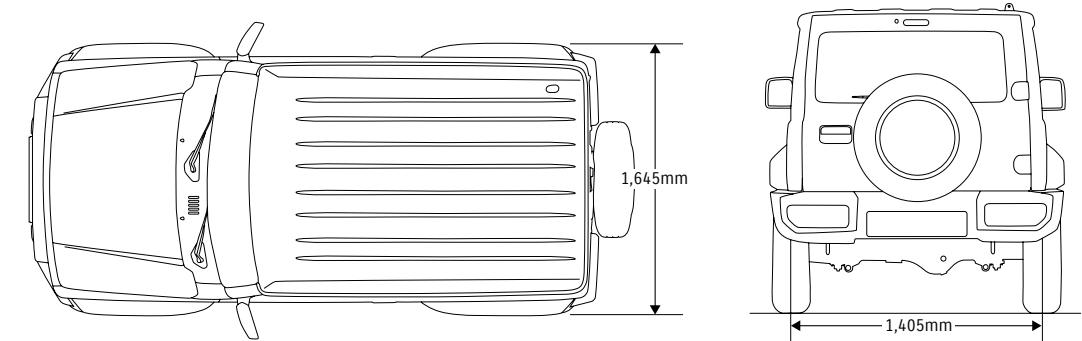
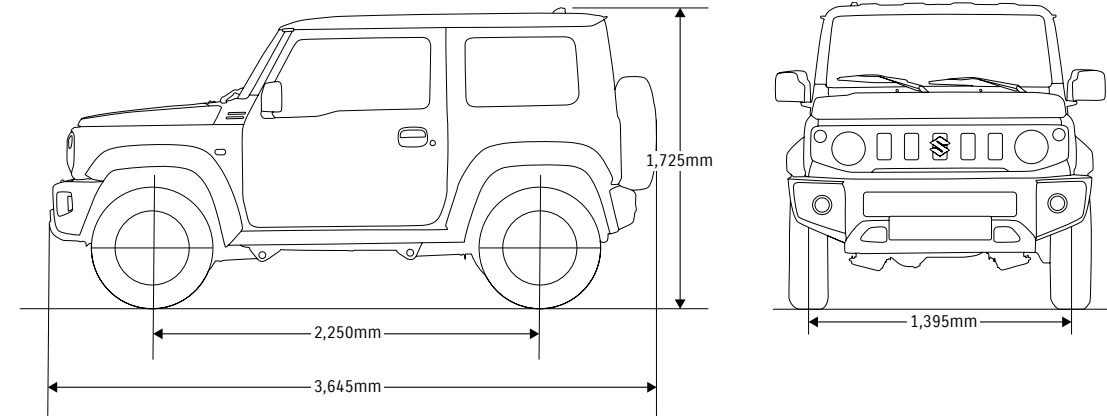
Bluetooth® is a registered trademark owned by Bluetooth SIG, Inc.



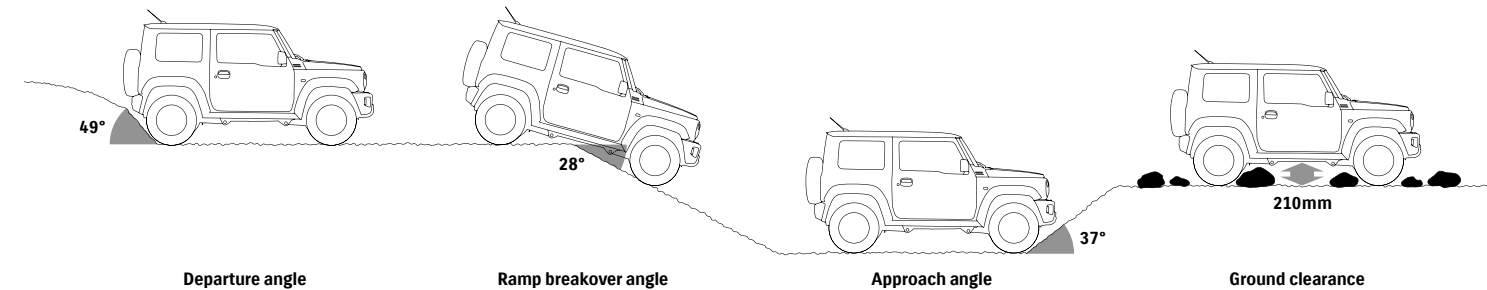
# TECHNICAL SPECIFICATIONS

MODEL		1.5 PETROL MANUAL	1.5 PETROL AUTOMATIC	
<b>AVAILABLE GRADES</b>		<b>SZ4, SZ5</b>	<b>SZ5</b>	
<b>Engine</b>	Type	K15B		
	Number of cylinders	4		
	Number of valves	16		
	Piston displacement	cm <sup>3</sup> 1,462		
	Maximum output	PS (kW) / rpm 101 (75) / 6,000		
	Maximum torque	Nm (lbf) / rpm 130 (95) / 4,000		
	Fuel distribution	Multipoint injection		
	EU emission standard	Euro 6		
<b>Transmission</b>	Type	5-speed manual	4-speed automatic	
	Gear ratio	1st	4.425	2.875
		2nd	2.304	1.568
		3rd	1.674	1.000
		4th	1.190	0.697
		5th	1.000	-
	Reverse	5.151	2.300	
	Final gear ratio	4.090	4.300	
Transfer gear ratio	High	1.000	1.320	
	Low	2.002	2.644	
<b>Weights &amp; dimensions</b>	Tyres	195/80R15		
	Overall length to rear bumper	mm	3,480	
	Overall length to spare wheel cover	mm	3,645	
	Overall width	mm	1,645	
	Overall height	mm	1,725	
	Wheelbase	mm	2,250	
	Minimum turning circle	m	9.8	
	Seating capacity	persons	4	
	Luggage capacity (maximum volume)	litres	830	
	Luggage capacity (seatback folded, VDA)	litres	377	
	Luggage capacity (seatback raised, VDA)	litres	85	
	Kerb weight inc. full options	kg	1,135	
	Gross vehicle weight	kg	1,435	
	Max towing weight (braked)	kg	1,300	
	Max towing weight (un-braked)	kg	350	
	<b>Performance &amp; economy</b>	Maximum speed	mph / km/h	90 / 145
Fuel tank capacity		litres	40	
CO <sub>2</sub> emissions (NEDC)		g/km	154	
CO <sub>2</sub> emissions (WLTP)		g/km	178	
Fuel consumption (WLTP)		Low	mpg (L/100km)	34.3 (8.2)
		Medium	mpg (L/100km)	42.0 (6.7)
		High	mpg (L/100km)	40.8 (6.9)
		Extra High	mpg (L/100km)	30.5 (9.3)
	Combined	mpg (L/100km)	35.8 (7.9)	
			28.3 (10.0)	

## JIMNY EXTERIOR DIMENSIONS



## BODY ANGLES AND GROUND CLEARANCE



Fuel economy and CO<sub>2</sub>\* results for the Suzuki Jimny range in mpg (L/100km): Combined 32.1 (8.8) to 35.8 (7.9). CO<sub>2</sub> emissions: 170 to 154g/km. The fuel consumption you achieve in real life conditions and CO<sub>2</sub> produced will depend upon a number of factors including the accessories fitted (post-registration), variations in weather, driving styles and vehicle load.\* There is a new test used for fuel consumption and CO<sub>2</sub> figures. The CO<sub>2</sub> figure(s) shown however, is based on the outgoing test cycle and will be used to calculate vehicle tax on first registration.

Only compare fuel consumption and CO<sub>2</sub> figures with other cars tested to the same technical standard.

# THE SUZUKI SERVICE PROMISE



At Suzuki, we're proud of the cars we build. We're proud of the quality, we're proud of their value for money, and we're proud that our customers continue to enjoy driving them long after they've bought one. That's why we recommend getting your Suzuki serviced regularly. This helps your car to continue to run smoothly, minimises future problems and protects its residual value. And who better to service your car than Suzuki Trained Technicians. They aim to give you the best possible service when you visit their Suzuki Service Centre. It's all part of the Suzuki Service Promise.

## WARRANTY

Every Suzuki in the range comes with a comprehensive three-year or 60,000 miles/100,000 km warranty (whichever comes first) and a 12-year anti-perforation warranty.

## ROADSIDE ASSISTANCE

Need assistance? Well we're always around if you need any kind of roadside help. New cars come with Suzuki Assistance cover, which includes 24-hour roadside assistance, home start and recovery through the Republic of Ireland, UK and Europe. So no need to worry, because when you're with us, you're covered.

## MOTUL OIL

When it comes to recommending the oil for your Suzuki, there's really only one choice – Motul. You can find out more information here: [cars.suzuki.co.uk/owners/servicing-your-suzuki](http://cars.suzuki.co.uk/owners/servicing-your-suzuki)

We promise that every Suzuki customer will experience superior levels of care and leave impressed by the little extras we include as standard:

- Alternative transport options
- Simple and transparent pricing
- Only pre-approved work undertaken
- Suzuki Trained Technicians
- Suzuki Genuine Parts
- Progress report during the day
- Wash and vacuum with pre-booked work
- Vehicle health check on every visit
- Accident Aftercare

## TALK TO US

Fancy a chat? Well, more specifically, a chat about anything Suzuki? The team at our Suzuki Information Service are happy to answer any questions you might have about your Suzuki. From the product range to services for drivers, they can fill you in on just about everything. Simply call 0800 804 8828 for UK residents. Alternatively, you can write to us at Suzuki GB PLC, Steinbeck Crescent, Snelshall West, Milton Keynes, Bucks MK4 4AE.



## WHAT ARE THE OPTIONS?

# FINANCE THAT FITS

Once you've found the Suzuki for you, you'll want an ideal finance package to go with it.

### 1. Personal Contract Purchase

Great for those who want flexibility: once you've chosen your repayment period, deposit and annual mileage, you'll be advised of your regular monthly repayments and optional final repayment. Once you've paid all your regular monthly repayments, you have three options – you can pay the optional final repayment to own the car, trade it in\* or return it (return conditions apply)\*\*.

### 2. Hire Purchase

Great for those wanting to own the vehicle: once you've chosen your repayment period and deposit, you'll be advised of the regular monthly repayments. Once all the repayments have been paid, you'll own the car.

## WHAT'S THE DIFFERENCE?

	HIRE PURCHASE	PERSONAL CONTRACT PURCHASE
<b>Deposit required</b>	Flexible deposit options – 0% deposit may be available, subject to status	Flexible deposit options – 0% deposit may be available, subject to status
<b>Maximum age of the car at the end of the agreement</b>	14 years old	7 years old
<b>Length of the agreement</b>	12-60 months	25-49 months
<b>What happens once you've paid all your regular monthly repayments?</b>	You're the legal owner of the car and the finance agreement has ended	You have three options to choose from: 1. Part exchange the car* 2. Pay the optional final repayment to own the car 3. Return the car (return conditions apply)**
<b>Fixed payments</b>	Yes	Yes
<b>Mileage restrictions</b>	No	Yes – you set a maximum agreed mileage. Excess mileage charges will apply if you intend to hand the car back at the end of the agreement and have exceeded the maximum agreed mileage
<b>Optional final payment at end of agreement</b>	No	Yes

## WHAT'S NEXT?

For more information or help finding the right package for you, pop into your local Dealer or visit [cars.suzuki.co.uk/suzuki-finance](http://cars.suzuki.co.uk/suzuki-finance)

\*Part Exchange: At any time, you can part exchange the car subject to obtaining a settlement figure and settling your agreement. New finance agreements are subject to status.

\*\*You have the option once you've paid all your regular monthly repayments to return the car and not pay the optional final repayment. If the car is in good condition (fair wear and tear accepted) and has not exceeded the maximum agreed mileage, you will have nothing further to pay. If the car has exceeded the maximum agreed mileage, a charge for excess mileage will apply. Credit is available to UK residents aged 18 or over, subject to status. Suzuki Finance is a trading style of Suzuki Financial Services Limited, St William House, Tresillian Terrace, Cardiff CF10 5BH. Suzuki Financial Services Limited is part of Lloyds Banking Group.

# GET IT COVERED WITH SUZUKI INSURANCE

When you buy your Suzuki, you can sign up to Free Driveaway Insurance\*. And if you're happy, you can update to annual cover. Just call **0330 018 3455** to find out more.

## Check out all the benefits you'll get with us:

- Courtesy car
- EU cover
- Windscreen damage cover
- 24/7 accident recovery
- UK call centres
- Child seat replacement cover
- Personal injury cover
- A brand-new Suzuki if yours is written-off or stolen within 12 months of its new registration
- Access to Suzuki Approved Body & Paint Centre

Unlike other insurers, we guarantee that any repairs will be carried out by Suzuki Trained Technicians using only Suzuki Genuine Parts.

To get a quote or find out more, call **0330 018 3455** or visit [cars.suzuki.co.uk/new-cars/insurance](https://cars.suzuki.co.uk/new-cars/insurance)



\*Terms and conditions apply. The offer of insurance is subject to eligibility and underwriting criteria. All cover is subject to the terms and conditions of the policy, see the Policy Document at [www.suzukicarinsurance.co.uk/docs](https://www.suzukicarinsurance.co.uk/docs). Suzuki Insurance is arranged and administered by Verex Insurance Services Ltd, which is registered in England and Wales No. 05686831 at Batchworth House, Church Street, Rickmansworth Herts WD3 1JE and authorised and regulated by the Financial Conduct Authority, No. 487185. Verex Insurance Services Ltd arranges policies from a panel of insurers, details are available on request. To understand how we may process your information read our Fair Use Notice at [www.suzukicarinsurance.co.uk/FairUseNotice](https://www.suzukicarinsurance.co.uk/FairUseNotice)

